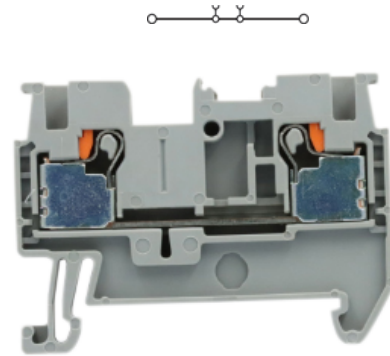


Push-In Terminal Block

Features

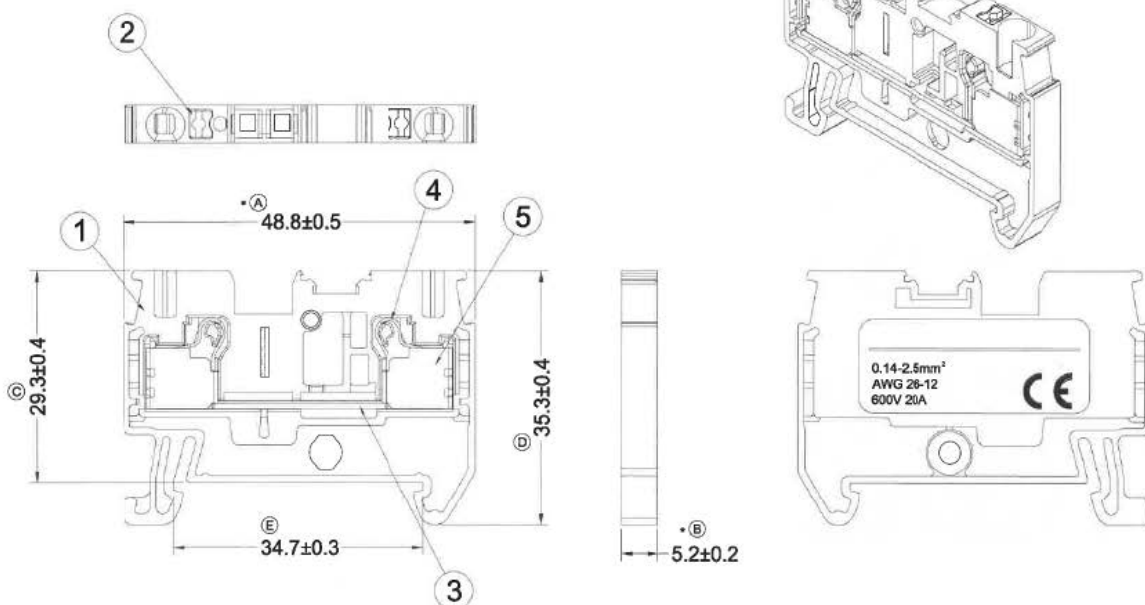
- Space-saving design
- Vibration proof anti-loosening wire connection with pre-stressed spring clamp
- Easy to operate, fast wiring installation with top wire entry
- Easy mounting and dismounting from the terminal rail
- Corrosion-proof terminal points
- Low contact resistance
- Easy for the extension of terminal connection
- Easy handling and safe connection
- Connecting without tools
- Colored plates ensure safety connections and operations



Specification

| | |
|-----------------------------|---|
| Rated Current & Voltage | 20 A, 600 V (UL B,C Class) 24 A, 800 V (IEC) |
| Wire Size | 26 ... 12 AWG, 0.14 ... 2.5 mm ² |
| Impulse Withstand Voltage | 8 kV |
| Insulation Stripping Length | 8 ... 10 mm |
| Number of Positions | 2 |
| Operating Temperature | -40 ... 105 °C |
| Terminal Block Colour | Grey |
| Wire Connection Method | Push-In |

Drawing



Material Specification

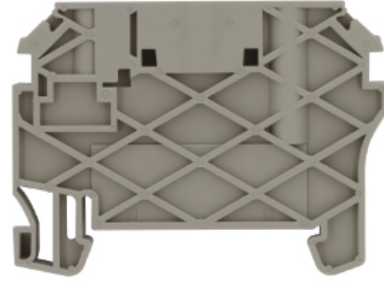
| | |
|---------------------|--------------------|
| 1 - Insulating Body | Polyamide 66 |
| 2 - Button | PBT |
| 3 - Terminal | Copper, Tin Plated |
| 4 - Spring | Stainless |
| 5 - Shell | Steel, Zinc Plated |

Push-In Terminal Block

Accessories



End Plate
RND 205-01392



End Bracket
RND 205-01394

Art Nr.
RND 205-01384